

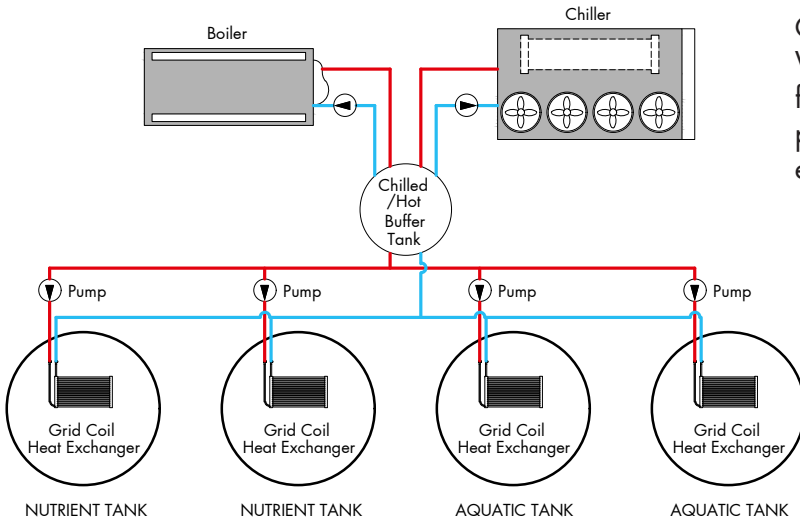


**Delta
Hydronics**

Aquaponics Heating and Cooling Specialist

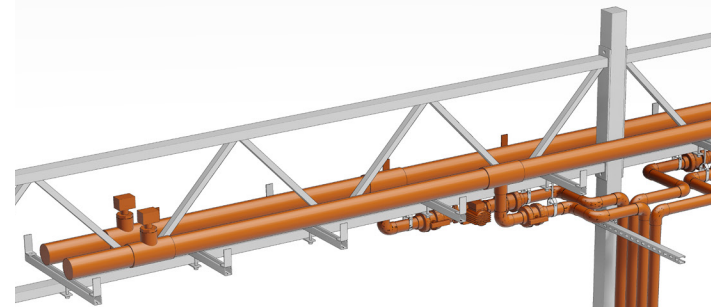
Delta Hydronics LLC is recognized as the leader in Hydroponic and Aquatic temperature control systems design, engineering and installation. Delta Hydronics provides engineered water heating and chilling solutions with premium service and pricing to the hydroponic, aquaculture, bench growing, harvesting and processing industries.

Centralized Temperature Control



Optimal Temperature

Optimal water temperature equals optimal growth. When temperatures are accurately set and maintained for Aquaponic applications, the result is increased production yields, improved product quality and extended shelf life.



Nutrient Film Technique (NFT)



Floating Raft System

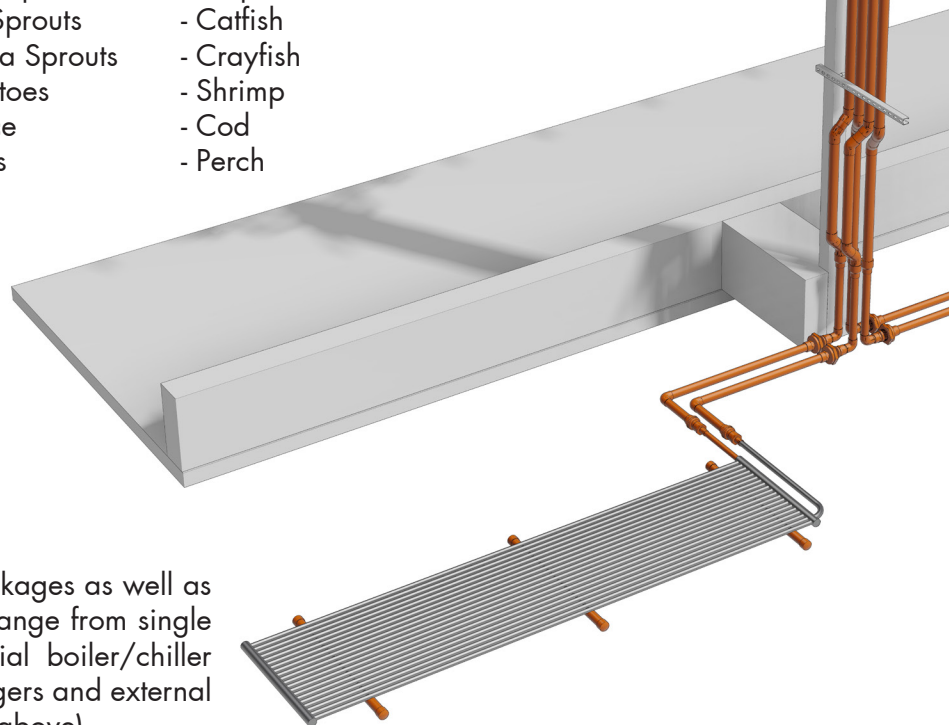
Commercial Applications

HYDROPONIC

- Bean Sprouts
- Soy Sprouts
- Alfalfa Sprouts
- Tomatoes
- Lettuce
- Herbs

AQUACULTURE

- Tilapia
- Catfish
- Crayfish
- Shrimp
- Cod
- Perch



Design and Installation

Delta's solutions include pre-plumbed skid packages as well as onsite design and installation. Our solutions range from single point systems to large centralized commercial boiler/chiller systems servicing multiple in-tank heat exchangers and external plate & Frame heat exchangers (see diagram above).