



**Delta  
Hydronics**

## Engineered MiniPac

*Delta Hydronics engineered MiniPac heat transfer solutions are exclusively configured for the Aquatic System Designer and LLS Engineer's temperature control requirements and space challenges.*

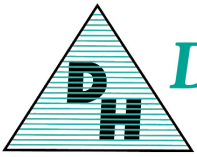
Mini-Pac is an engineered heat transfer system that can be customized for your heating or chilling application. Mini-Pac includes an EPDM gasketed TI or SS PHE, digital temp controller, flow control device with balancing valve, strainer and flow meter. System is preplumbed on FRP base. PHE available CE marked.



Mini-Pac can be ordered with either a pump or electronic flow control valve, temp control options includes 0-10v DC output for VFD speed control or electronic valve positioning. Unit can be wall or floor mounted.

### PACKAGE SPECIFICATIONS

MODEL NUMBER	BTU OUTPUT	HOT °F	COLD °F	ΔT	ΔP	GPM	# PLATES
DHMP-1	1 000	140	78	10	< 5	< 0.5	4
DHMP-2.5	2 500			10	< 5	< 1.0	4
DHMP-5	5 000			10	< 5	< 1.20	4
DHMP-10	10 000			10	< 5	< 2.10	4
DHMP-20	20 000			10	< 5	< 4.25	6
DHMP-50	50 000			10	< 8	< 10.5	14
DHMP-100	100 000			10	< 8	< 22.5	28
DHMP-150	150 000			10	< 8	< 26.0	36
DHMP-200	200 000			12	< 8	< 35.0	48
DHMP-250	250 000			20	< 8	< 26.0	34
DHMP-300	300 000			20	< 8	< 32.0	42
DHMP-400	400 000			25	< 8	< 34.0	46

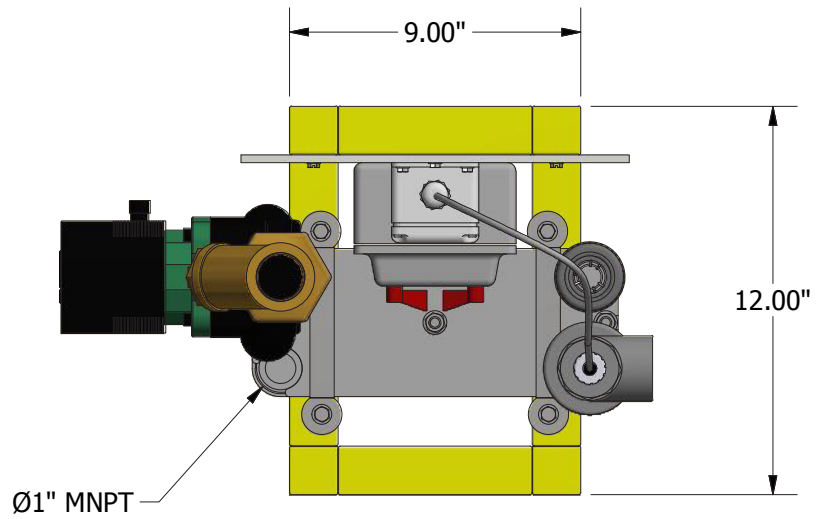


**Delta  
Hydronics**

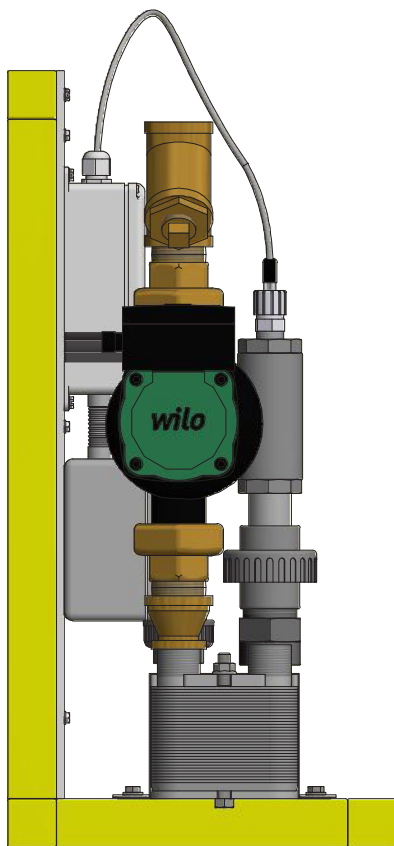
**Engineered MiniPac**

**DIMENSIONS**

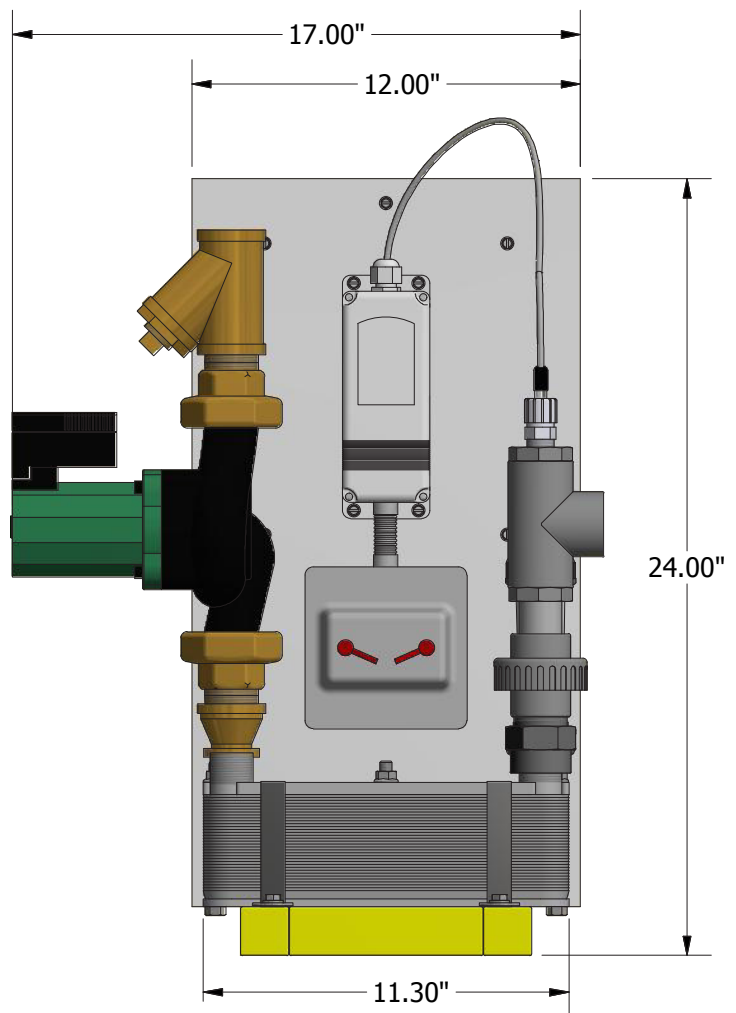
Unit can be wall or floor mounted.



**TOP VIEW**



**SIDE VIEW**



**FRONT VIEW**

**DELTA HYDRONICS LLC, 9100 Bolton Avenue, Hudson, Florida, 34667**

**(727) 861-2421**

**info@deltahydro.com**

**www.deltahydro.com**